



High Efficiency & Compliant

Rigorously tested in independent certified laboratories.



High Quality

Products ensuring longevity performance.



European Design & Manufacture

Customised for the Australian market and rugged conditions.



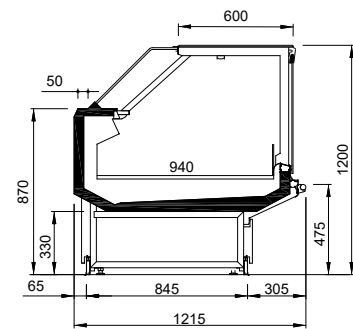
Affordability

Excellent value for money.

TRADITIONAL SERVICE COUNTER - SELF CONTAINED



ICE plug in



The above image is for model display purpose only and actual product or specification may vary.

VPR

Temperature Range: M0 (-1/+4°C)



Features

- | | |
|--|---|
| External Colour: Black | High efficiency fans with fan guards |
| Internal Colour: Black | Natural defrost |
| Stainless steel exposition | Stainless steel tube bumper |
| Low-e vertical front glass with internal isolation | Carel electronic controller |
| Rear sliding doors | Condensing unit with high efficiency fans |
| 600mm glass upper work top | Automatic evaporation |
| Efficient LED internal lighting | Castors |
| Special ventilated system to avoid product dehydration | Full glass display end panels |

| Specifications | | VPR-2 | VPR-3 | VPR-4 | VPR-5 | VPR-6 |
|------------------------|---------|----------------------------|--------------------|--------------------|--------------------|--------------------|
| Dimensions | mm | 1290 x 1215 x 1200 | 1915 x 1215 x 1200 | 2540 x 1215 x 1200 | 3165 x 1215 x 1200 | 3790 x 1215 x 1200 |
| Power Supply Required | A | 10 | 10 | 10 | 10 | 10 |
| Volume | litres | 248 | 372 | 497 | 621 | 745 |
| Shelves | mm | N/A | N/A | N/A | N/A | N/A |
| MEPS Power Consumption | kwh/24h | 10,58 | 15,92 | 20,75 | 23,51 | 28,45 |
| Refrigerant Type | | R404a | | | | |
| Installation | | 230V / 50Hz | | | | |
| Nominal Power | W | 1250 | 1744 | 1816 | 1893 | 2077 |
| Climatic Class | | Class 3 (+ 25 °C / 60% RH) | | | | |
| Warranty | | 12 Months (parts) | | | | |
| Packaging Dimensions | mm | 1340 x 1230 x 1290 | 1965 x 1230 x 1290 | 2590 x 1230 x 1290 | 3215 x 1230 x 1290 | 3840 x 1230 x 1290 |
| Weight with packing | kg | 210 | 300 | 390 | 480 | 545 |

* Figures are approximate



Sims Refrigeration & Air Conditioning (SA)
188 Main Road Blackwood SA 5051

Sims Refrigeration & Air Conditioning (NT)
Unit 4/13 Bishop Street Woolner NT 0820

Phone: (08) 8370 3111

Email: contracts@simsrefrig.com.au

www.simsrefrig.com.au

