



FPG provides all its inline customers with market-leading after-sales support. Our Customer Service Centre operates 24 hours a day, seven days a week. By simply quoting your cabinet serial number the operator will have access to data. This ensures accurate information is passed on to a technician so that in the unlikely event of a problem, FPG will resolve it quickly and efficiently.



YOUR CERTIFIED DEALER

Australia
 T 1800 813 745
 F 1800 813 746
 E ausales@fpgworld.com
 142 Proximity Drive
 Sunshine, PO Box 5062
 Vic 3020
 Australia

China/Asia
 T +86 21 5284 9755
 F +86 21 3633 1611
 E asales@fpgworld.com
 Rm 104, Building 8
 No.31 KaiXuan Road (S)
 Shanghai 200232
 PR China

New Zealand
 T +64 6 843 3249
 F +64 6 843 2466
 E nzsales@fpgworld.com
 110 Austin Street
 PO Box 3029
 Napier, 4112
 New Zealand

United Kingdom
 T 0808 234 7922
 F 0808 234 7921
 E uksales@fpgworld.com
 80 Haymarket
 London SW1Y4TQ
 United Kingdom

Europe
 T +49 89 7190 9062
 F +49 89 7190 9063
 E eusales@fpgworld.com
 20a Kregerheim Straße
 München 81377
 Germany



www.fpgworld.com



INLINE 3000

FOOD CABINETS



INLINE 3000

FOOD CABINETS

FPG is the internationally recognised leader in turnkey retail store development. We partner with the world's leading food retail and hospitality brands across 25 countries.

Engineering excellence and robust build quality put us above the competition, and far exceed food safety standards. We create and supply innovative, high-end temperature controlled food service products that enable better merchandising, which in turn leads to increased sales.

Like you, our focus is on the consumer and what drives them to purchase. We combine a commitment to ongoing research and development, and a passion for innovation and ingenuity to provide the very best products available.

The Inline 3000 Food Cabinet

Designed as a cost effective solution for café, kiosk and C-stores, these cabinets provide a more economical solution, yet retain all the key benefits of the FPG product range.



Energy efficient
Double glazed glass for greater efficiency and reduced energy costs.



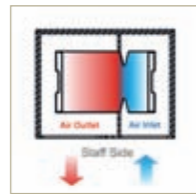
Intelligent control
Active defrost cycles provide better control of cabinet temperatures.



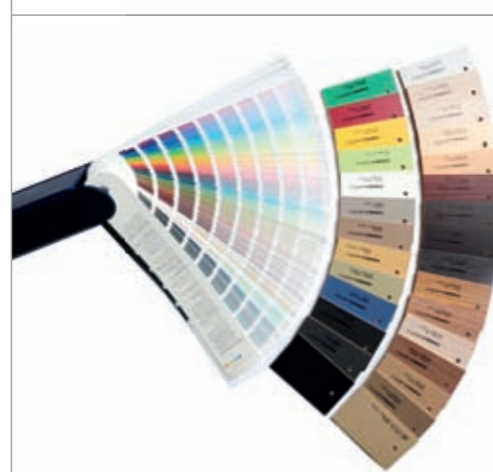
Optional LED
FPG has engineered a 50,000 hour LED system that can be factory fitted, giving rendered light colours. Low energy and low total cost of life.



Free flow technology
Allowing all air in and out at back of cabinet. This allows a tidy seamless visual with no vents required on joinery.



Easy to clean
Cabinets can be easily cleaned and serviced with many parts 'operator removable' for simple safe access.



Custom finish
3000 cabinets have unique changeable colour inserts to help you to personalise your cabinet.

Convenience
Front and rear view ticket strips, for staff and customers.

Moving air refrigeration
Unit can withstand 60 door openings per hour with no loss of temperature.



3000 features at a glance

- Easy to clean
- Double glazed panels and highly efficient refrigeration and heating systems
- Shelf angle, light and glass shape are all designed to ensure products are displayed to show them at their absolute best
- 'Serve-over' and 'self-serve' door options
- User-friendly for consumer and for retailer
- All major components are locally available
- Refrigerated cabinets maintain core temperature of 2-4 degrees°C
- Withstands 60 door openings per hour with no loss of temperature
- Hot cabinets maintain a temperature of 65-95 degrees°C
- Front and rear view ticket strips, for staff and customers
- Cabinet can operate 24/7 due to accurate temperate control and defrost cycles
- High humidity level means food stays fresh

Factory fitted accessories

- Shelf lighting
- Condensate evaporator tray

Standard accessories

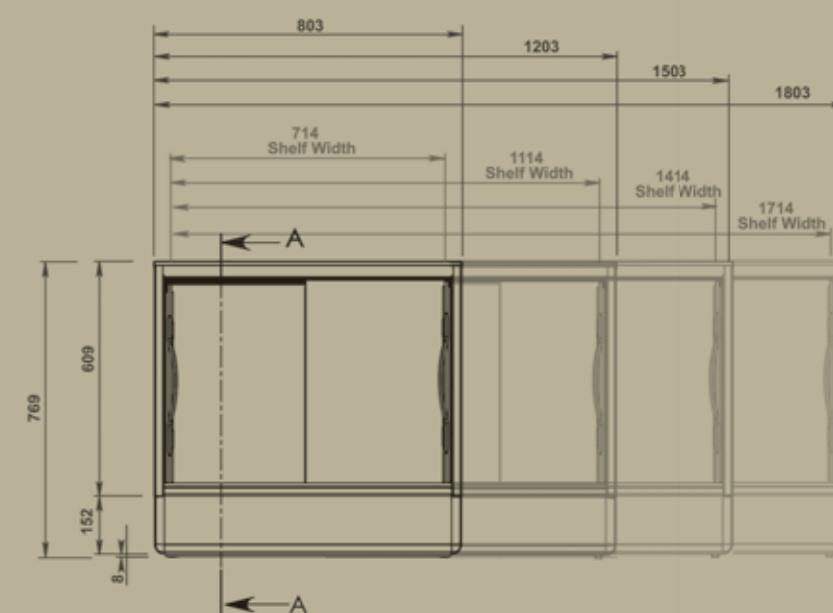
- Pie chutes and dividers
- Wire shelves
- Stainless steel flat shelves
- Small-goods trays
- Thermal divider
- Chicken trays
- Angle base shelves
- Rear decks



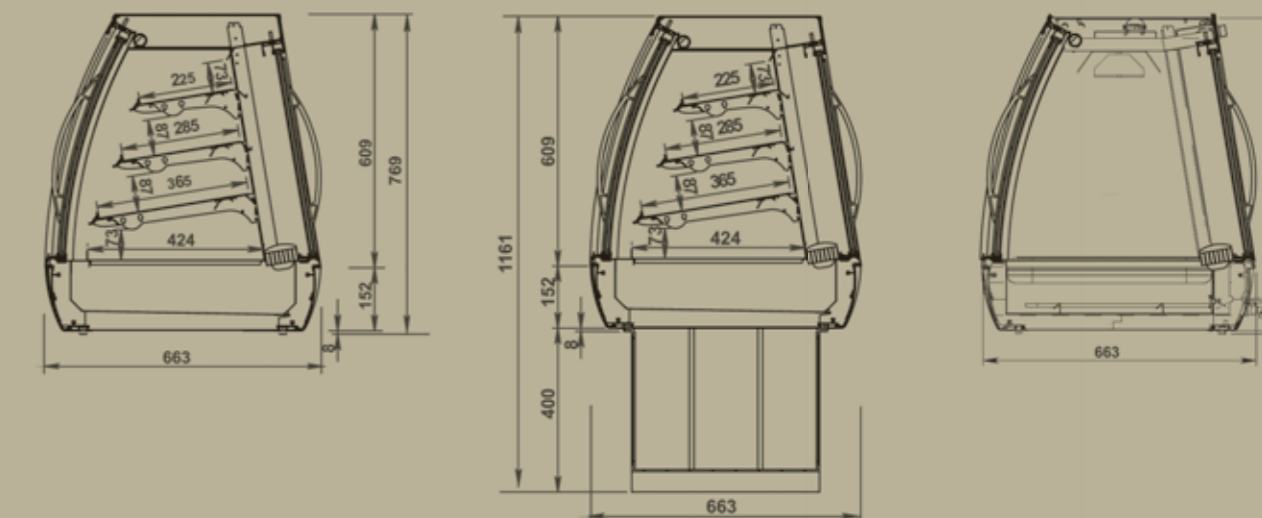
Design your own store with our modular counter system
Choose from a comprehensive range of modular joinery components built to withstand the toughest commercial environment. All cabinets come pre-assembled with common service penetrations and fixing points making a final installation quick and simple. Get a custom fit and finish in a ready-to-go package.

Technical specifications

1800 cabinet available in cold and controlled ambient range only



FRONT ELEVATION



SECTION A-A

